

# Why is our price different from **unlicensed** handyman?

1  **UNLICENSED**



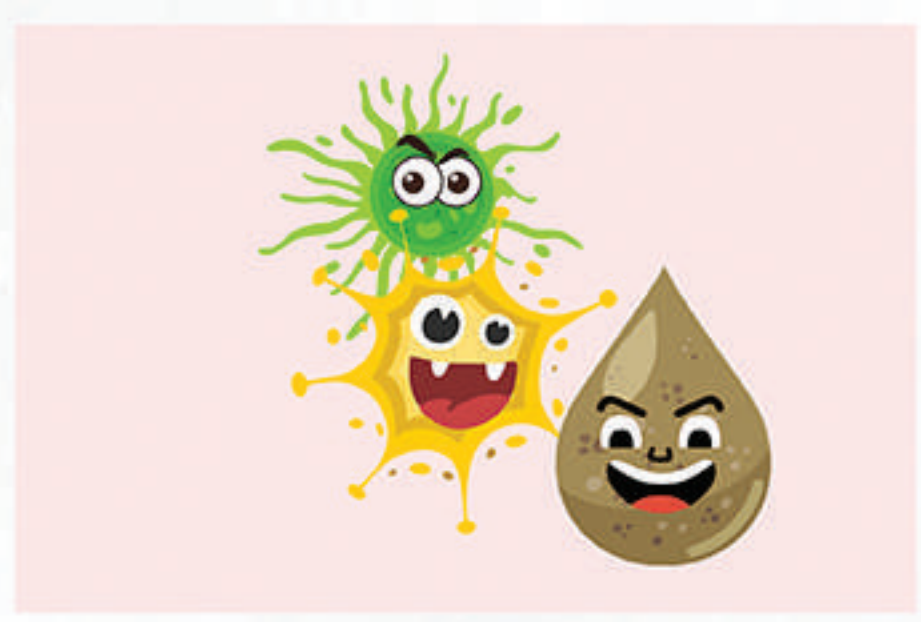
**\$150**

 **Missing in installation**

1  **PUB Certificate**



~~**\$450**~~ **\$438 only**



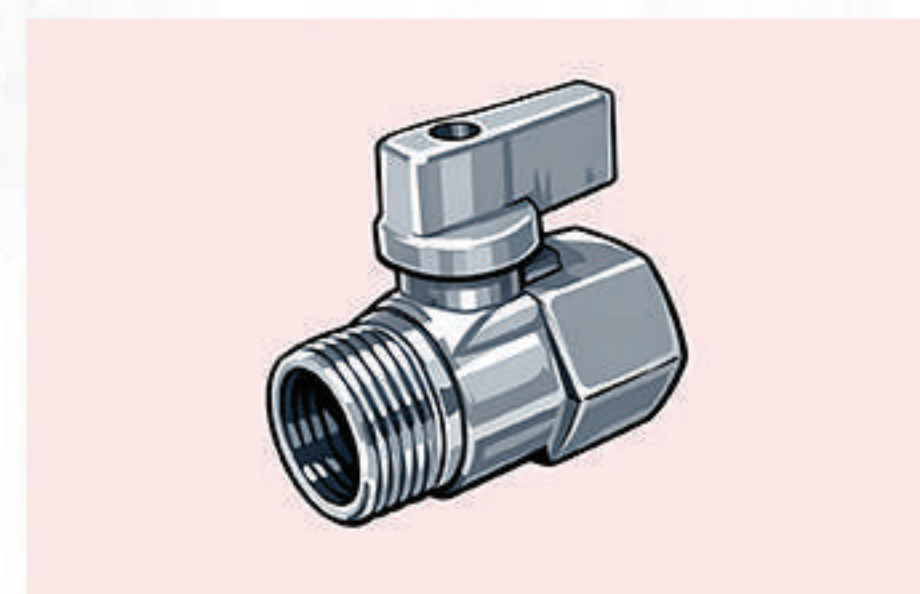
**2 Anti - Siphon**  
Water may contaminate due to **missing anti-siphon**.



**3 Earth Bonding**  
Protecting users from **electrocution** during electrical leaks.




**4 Drainpipe**  
Hot water **discharge hazards** if drain pipes are not installed correctly.



**5 Miniball Valve**  
Mini ball valves are not suitable for heater inlets as they are **less durable**.

**\$80**




**2 Anti - Siphon**  
Prevent backflow

**\$80**




**3 Earth Bonding**  
Prevent electrocution

**\$80**



**4 Drainpipe**  
Discharge drain water

**\$80**



**5 Stopvalve**  
Isolate the system

**\$50**



**Electrical Safety Check**  
Ensure your system is safe

**\$80**



**Upgrading of water pipe**  
Ensure sealing & long term safety